



"Super Hot Rod[®]" Flat Surface Roller Grill

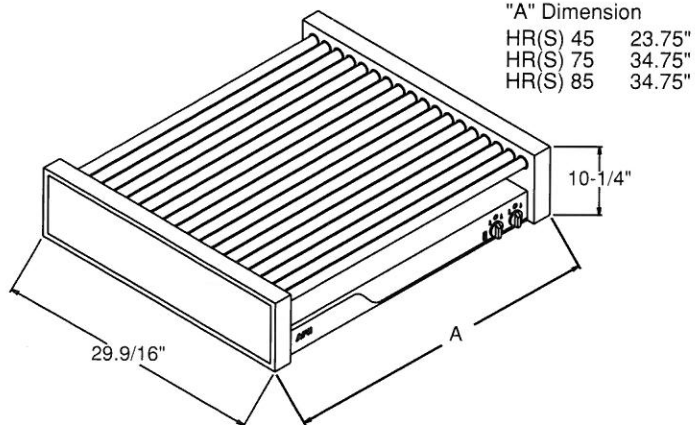
Models: HR-45 HR-75 HR-85 HRS-45 HRS-75 HRS-85

PRODUCT:

QUANTITY:

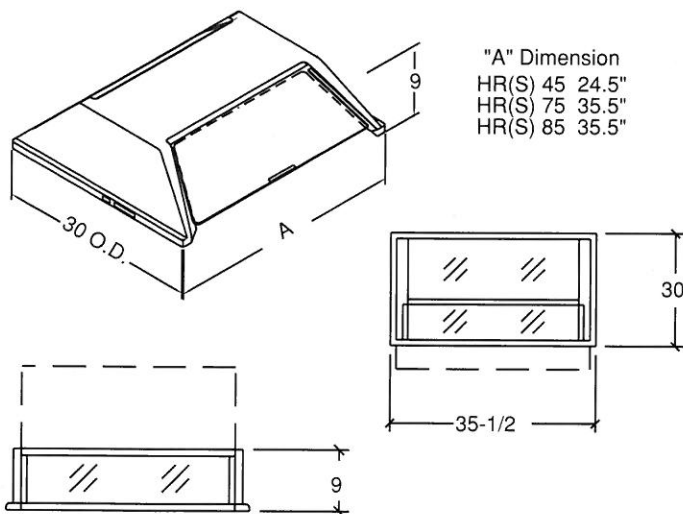
ITEM#:

Flat Surface Roller Grill



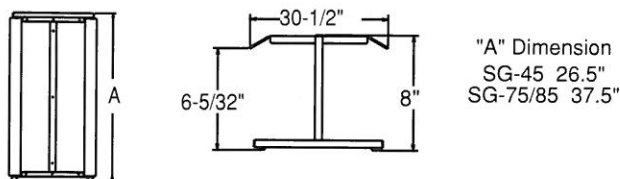
"A" Dimension	
HR(S) 45	23.75"
HR(S) 75	34.75"
HR(S) 85	34.75"

Polycarbonate Sneeze Guards (SG)



"A" Dimension	
HR(S) 45	24.5"
HR(S) 75	35.5"
HR(S) 85	35.5"

Pass Thru Sneeze Guards



"A" Dimension	
SG-45	26.5"
SG-75/85	37.5"

PRODUCT SPECIFICATIONS

Construction:

Stainless steel exterior, aluminum drip pan and coated steel bottom. Available in chrome or "Tru-Turn" textured rollers. Two heavy-duty high torque motors.

Electrical Information:

120V units use a 5-15P Plug. Both the 208V and 240V units are provided with a 60" power cord with a Nema 6-15P plug.

Electrical Specifications:

HR(S)-45:	120V, 1465W, 12.2 Amps
HR(S)-75:	208V, 1820W, 8.9 Amps
	240V, 2410W, 10.1 Amps
HR(S)-85:	208V, 1976W, 9.5 Amps
	240V, 4000W, 11.0 Amps

Overall Dimensions:

HR(S)-45:	8-1/2" H x 23-3/4" W x 29-9/16" D (21.6 cm x 60.3 cm x 75.1 cm) 16 Rollers
HR(S)-75:	8-1/2" H x 34-3/4" W x 29-9/16" D (21.6 cm x 88.3 cm x 75.1 cm) 16 Rollers
HR(S)-85:	8-1/2" H x 34-3/4" W x 29-9/16" D (21.6 cm x 88.3 cm x 75.1 cm) 18 Rollers

Ship Weight:

HR(S)-45:	70 lbs. (31.5 kg)
HR(S)-75:	87 lbs. (39.1 kg)
HR(S)-85:	89 lbs. (40 kg)

Sneeze Guard Specifications:

Overall Dimensions:

SG-45:	9" H x 24-1/2" W x 30-21/32" D (22.9 cm x 62.2 cm x 77.9 cm)
SG-45DD:	9" H x 24-1/2" W x 30-21/32" D (22.9 cm x 62.2 cm x 77.9 cm)
SG-45XP:	8" H x 26-1/2" W x 30-1/2" D (40.6 cm x 67.3 cm x 77.4 cm)
SG-75/85:	9" H x 35-1/2" W x 30-21/32" D (22.9 cm x 90.2 cm x 77.9 cm)
SG-75/85DD:	9" H x 35-1/2" W x 30-21/32" D (22.9 cm x 90.2 cm x 77.9 cm)
SG-75/85XP:	8" H x 37-1/2" W x 30-1/2" D (40.6 cm x 95.2 cm x 77.4 cm)

Ship Weight:

SG-45:	15lbs. (6.8kg)
SG-45DD:	15lbs. (6.8kg)
SG-45XP:	22lbs. (9.9kg)
SG-75/85:	18lbs. (8.1kg)
SG-75/85DD:	18lbs. (8.1kg)
SG-75/85XP:	25lbs. (11.3kg)

F.O.B./Cheyenne, WY

"Super Hot Rod[®]" Flat Surface Roller Grill & Sneeze Guards



APW Wyott Foodservice Equipment Company

729 Third Avenue • Dallas, TX 75226 • 800-527-2100 • 214-421-7366 • FAX 214-565-0976

For more information e-mail us at: Info@APWwyott.com

Rev. 2/1/2001

#1603

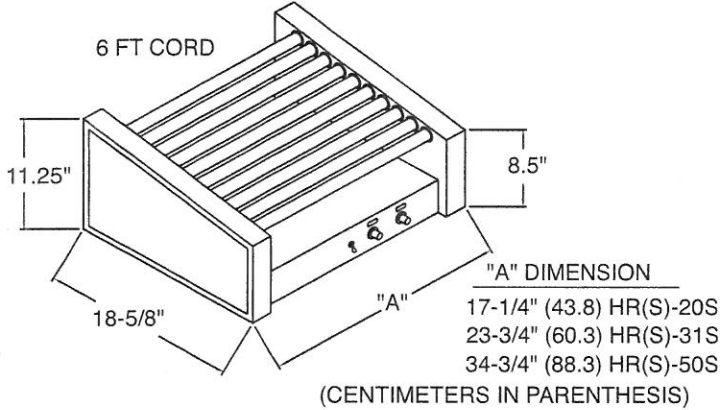
Wyott reserves the right to modify specifications or discontinue models without incurring obligation.

PRODUCT:

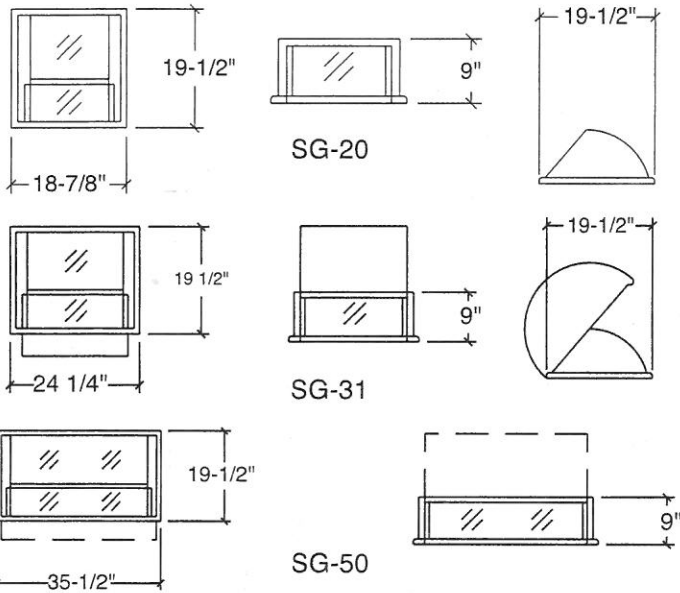
QUANTITY:

ITEM#:

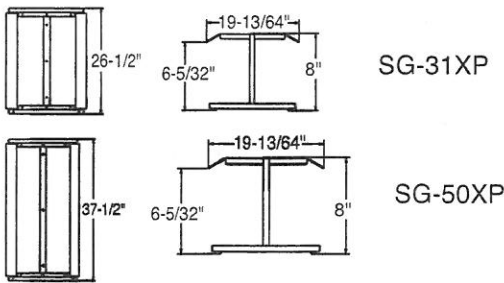
Slanted Surface Roller Grill



Polycarbonate Sneeze Guards (SG)



Pass Thru Sneeze Guards



Hot Rod® Slanted Surface Roller Grill & Sneeze Guards

PRODUCT SPECIFICATIONS

Construction:

Stainless steel exterior, aluminum drip pan and coated steel bottom. Chrome or "Tru-Turn" textured rollers (specify Model HRS-20S, -31S or -50S for "Tru-Turn"). Heavy-duty high torque motor.

Electrical Specifications:

HR(S)-20S: 120V, 768W, 6.4 Amps, 60Hz
 HR(S)-31S: 120V, 985W, 8.3 Amps, 60Hz
 208V, 885W, 3.2 Amps,
 240V, 1160W, 4.8 Amps
 HR(S)-50S: 120V, 1320W, 11 Amps, 60Hz
 208V, 1260W, 6.2 Amps,
 240V, 1665W, 7Amps

All 120V units use a NEMA 5-15P plug.

Overall Dimensions:

HR(S)-20S: 11-1/4" H x 17-1/4" W x 18-5/8" D
 (28.6 cm x 43.8 cm x 47.3 cm)
 HR(S)-31S: 11-1/4" H x 23-3/4" W x 18-5/8" D
 (28.6 cm x 60.3 cm x 47.3 cm)
 HR(S)-50S: 11-1/4" H x 34-3/4" W x 18-5/8" D
 (28.6 cm x 88.3 m x 47.3 cm)

Ship Weight:

HR(S)-20S: 35 lbs. (15.9 kg)
 HR(S)-31S: 44 lbs. (19.1 kg)
 HR(S)-50S: 55 lbs. (25 kg)
 F.O.B. / Cheyenne, WY

Sneeze Guard Specifications:

Overall Dimensions:

SG-20: 9" H x 18-7/8" W x 19-1/2" D
 (22.9 cm x 47.9 cm x 49.5 cm)
 SG-31: 9" H x 24-1/4" W x 19-1/2" D
 (22.9 cm x 62 cm x 49.5 cm)
 SG-31XP: 8" H x 26-1/2" W x 19-13/64" D
 (20.2 x 67 cm x 48.6 cm)
 SG-50: 9" H x 35-1/2" W x 19-1/2" D
 (22.9 cm x 90.2 cm x 49.5 cm)
 SG-50XP: 8" H x 37-1/2" W x 19-13/64" D
 (20.2 cm x 94.9 cm x 48.6 cm)

Ship Weight:

SG-20: 7 lbs. (2.7 kg) SG-31XP: 15 lbs. (6.3 kg)
 SG-31: 9 lbs. (3.6 kg) SG-50XP: 20 lbs. (9 kg)
 SG-50: 15 lbs. (6.3 kg)
 F.O.B. / Cheyenne, WY