



Model 6000A-2, shown with optional 66091 and 66089.

STANDARD FEATURES

- Sturdy steel frame and aluminum hoods with powder coat grey, or black finish
- Durable, scratch-resistant finish that is easy to clean
- 120-volt unit that plugs in a 15-amp outlet
- A 6-foot cord
- One-year parts and labor warranty

TYPICAL SPECIFICATION

All infrared bulb warmers shall be constructed of powder coated steel and powder coated aluminum materials. Every unit operates standard on 120-volt/15-amp power with a wattage of 250 per bulb (ranging up to 2,000 total watts for an eight-bulb unit). See model specifications for information regarding the approval of ETL, and shall be listed with the National Sanitation Foundation.

Made in U.S.A.

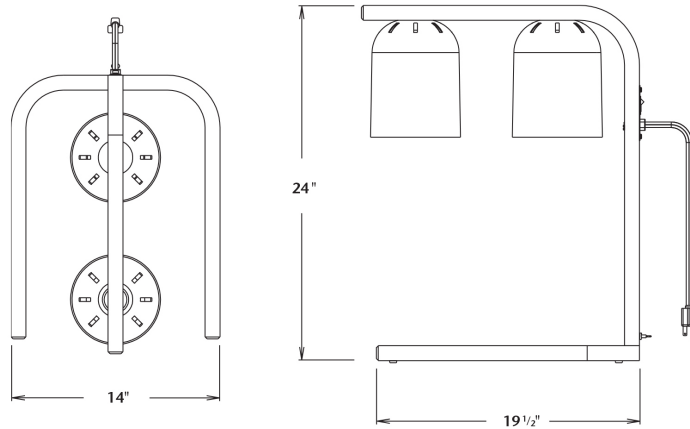
Infrared Bulb Warmers

model #: **6000A-2** (shown)

Keep plated foods at optimum serving temperatures while maintaining their appetizing appearance with Nemco's complete line of infrared bulb warmers. Each unit is perfect for holding baked foods, such as rolls, breads and desserts, as well as your most popular fried favorites and side dishes like chicken fingers, poppers, French fries and more. Or use them for steamed and broiled foods too.

Like all Nemco equipment, these bulb warmers are designed to fit any kind of commercial space and size requirements, with portable freestanding and permanent hanging-fixture designs available. All models feature an attractive, classic reflector hood design that blends easily with any interior style. The powder coat hood finish topped with a scratch resistant clear coat is durable, easy to clean and maintains its attractive appearance over a long period of time. Plus, you can order your own custom configuration with the option to specify color finish. The standard bulb package includes a set of clear, 250-watt infrared bulbs. Red 250-watt infrared bulbs and white, shatter-resistant 250-watt infrared bulbs are also available.

Countertop Bulb Warmers



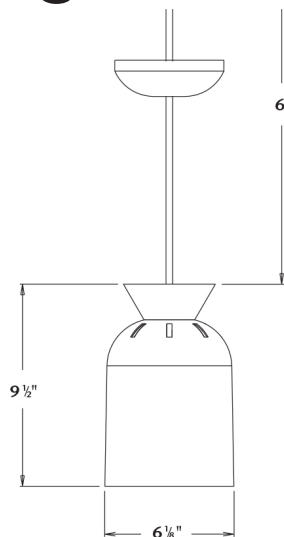
OPTIONAL ACCESSORIES

66089, Pan and screen set
66091, Tray for 6000A-1 & 6000A-2



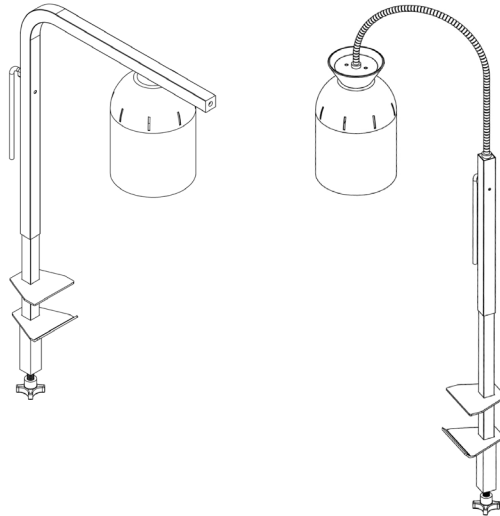
Model #	Description	W x D x H	Volts	Watts	Adjustment	Equipment Weight (lbs.)	Shipping Weight (lbs.)
6000A-1	Single Bulb	14"x19 1/2"x22"	120	250	15" x 21"	6.5	10
6000A-1A	Single Bulb, Compact	14"x11 1/4"x22"	120	250	15" x 21"	6.5	10, dim 28 lbs
6000A-2	Two Bulb (Shown)	14"x19 1/4"x24"	120	500	15" x 21"	8	11
6000A-2B*	Two Bulb, Black Finish	14"x19 1/2"x24"	120	500	15" x 21"	8	11
6000A-2TP*	Two Bulb, w/Pan & Screen Set	14"x19 1/2"x24"	120	500	15" x 21"	13	16, dim 40 lbs
6000A-3	Three Bulb	14"x29 1/4"x26 3/4"	120	750	15" x 21"	10	15, dim 58 lbs

Ceiling-Mount Units



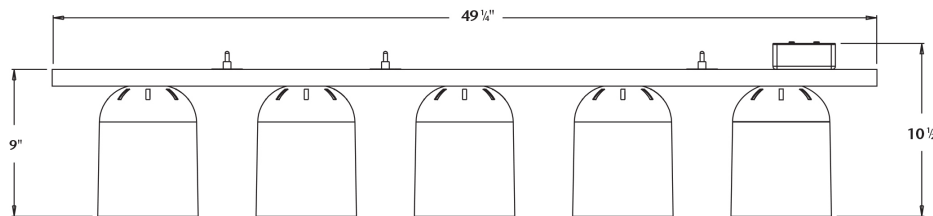
Model #	Description	Diameter	Length	Volts	Watts	Equipment Weight (lbs.)	Shipping Weight (lbs.)
6002	Single Bulb (Shown)	6 1/8"	6' Cord	120	250	2	4
6003	Single Bulb	6 1/8"	4' Tube	120	500	2.5	4

Portable Clamp-On Units



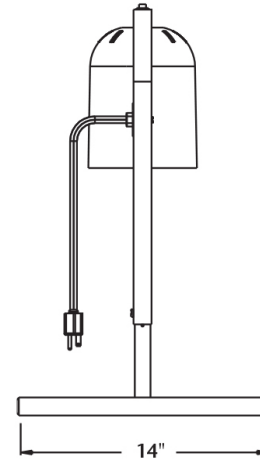
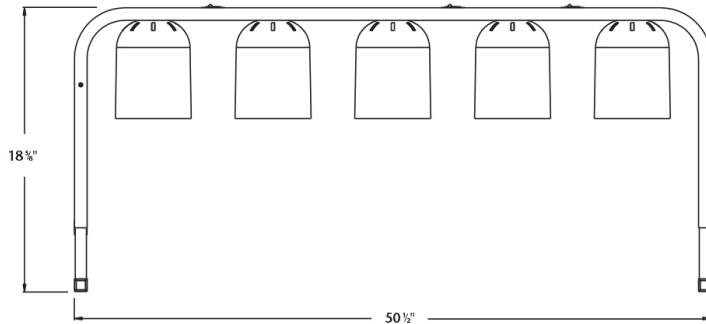
Model #	Description	W x D x H	Volts	Watts	Adjustment	Equipment Weight (lbs.)	Shipping Weight (lbs.)
6004-1	Single Bulb (Shown)	19 ¹ / ₈ "x6 ¹ / ₈ "x24 ³ / ₄ "	120	250	13 ¹ / ₂ "x23 ¹ / ₂ "	4.5	12
6004-2	Two Bulb	19 ¹ / ₈ "x6 ¹ / ₈ "x26 ³ / ₄ "	120	500	13 ¹ / ₂ "x23 ¹ / ₂ "	5.5	12
6004-4	Single Bulb w/ Adjustable 2' Gooseneck (Shown)	11"x6 ¹ / ₈ "x Adjustable	120	250	14 ¹ / ₂ "x24 ¹ / ₂ "	5	8

Single-Row, Suspension-Bar, Chain-Hung Units



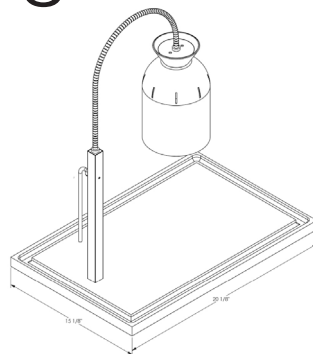
Model #	Description	W x D x H	Volts	Watts	Equipment Weight (lbs.)	Shipping Weight (lbs.)
6006-2	Two Bulb	21 ¹ / ₄ "x6 ¹ / ₈ "x10 ¹ / ₂ "	120	500	3.5	8, dim 32 lbs
6006-3	Three Bulb	30 ³ / ₄ "x6 ¹ / ₈ "x10 ¹ / ₂ "	120	750	5.5	9, dim 65 lbs
6006-4	Four Bulb	40 ¹ / ₄ "x6 ¹ / ₈ "x10 ¹ / ₂ "	120	1,000	7	10, dim 65 lbs
6006-5	Five Bulb (Shown)	49 ¹ / ₄ "x6 ¹ / ₈ "x10 ¹ / ₂ "	120	1,250	8.5	12, dim 79 lbs
6006-6	Six Bulb	59 ¹ / ₄ "x6 ¹ / ₈ "x10 ¹ / ₂ "	120	1,500	10	15
6006-7	Seven Bulb	68 ³ / ₄ "x6 ¹ / ₈ "x10 ¹ / ₂ "	120	1,750	11.5	22
6006-8	Eight Bulb	78 ¹ / ₄ "x6 ¹ / ₈ "x10 ¹ / ₂ "	120	2,000	12.5	32

Portable Counter Units



Model #	Description	W x D x H	Volts	Watts	Adjustment	Equipment Weight (lbs.)	Shipping Weight (lbs.)
6008-2	Two Bulb	22"x14"x18 ⁵ / ₈ "	120	500	13 ¹ / ₄ "x18 ³ / ₄ "	7	12, dim. 49 lbs
6008-3	Three Bulb	31 ¹ / ₂ "x14"x18 ⁵ / ₈ "	120	750	13 ¹ / ₄ "x18 ³ / ₄ "	8.5	14, dim. 65 lbs
6008-4	Four Bulb	41"x14"x18 ⁵ / ₈ "	120	1,000	13 ¹ / ₄ "x18 ³ / ₄ "	10	20, dim. 65 lbs
6008-5	Five Bulb (Shown)	50¹/₂"x14"x18⁵/₈"	120	1,250	13 ¹ / ₄ "x18 ³ / ₄ "	11.5	25, dim. 79 lbs
6008-6	Six Bulb	60"x14"x18 ⁵ / ₈ "	120	1,500	13 ¹ / ₄ "x18 ³ / ₄ "	13	33
6008-7	Seven Bulb	69 ¹ / ₂ "x14"x18 ⁵ / ₈ "	120	1,750	13 ¹ / ₄ "x18 ³ / ₄ "	14.5	40
6008-8	Eight Bulb	79"x14"x18 ⁵ / ₈ "	120	2,000	13 ¹ / ₄ "x18 ³ / ₄ "	16	45
6009-2*	Two Bulb	22"x14"x18 ⁵ / ₈ "	120	500	13 ¹ / ₄ "x18 ³ / ₄ "	7	18, dim. 49 lbs
6009-3*	Three Bulb	31 ¹ / ₂ "x14"x18 ⁵ / ₈ "	120	750	13 ¹ / ₄ "x18 ³ / ₄ "	8.5	20, dim. 65 lbs
6009-4*	Four Bulb	41"x14"x18 ⁵ / ₈ "	120	1,000	13 ¹ / ₄ "x18 ³ / ₄ "	10	26, dim. 65 lbs
6009-5*	Five Bulb	50 ¹ / ₂ "x14"x18 ⁵ / ₈ "	120	1,250	13 ¹ / ₄ "x18 ³ / ₄ "	11.5	31, dim. 79 lbs
6009-6*	Six Bulb	60"x14"x18 ⁵ / ₈ "	120	1,500	13 ¹ / ₄ "x18 ³ / ₄ "	13	33

Carving Stations w/Flex-Mount Lamp



Model #	Description	W x D x H	Volts	Watts	Adjustment	Equipment Weight (lbs.)	Shipping Weight (lbs.)
6015	Single Bulb, w/High-Density Polyethylene Base (Shown)	15¹/₈"x20¹/₈"x43¹/₂"	120	250	Adjustable	15.5	21, dim 38 lbs
6015-DP	Single Bulb, w/Reflex Mount Lamp, Polyethylene Base, Deeper Groove on Base, Lamp Centered	15 ¹ / ₄ "x23 ¹ / ₄ "x43 ¹ / ₂ "	120	750	Adjustable	15.5	21, dim 38 lbs
6016	Single Bulb, w/Wood Base	18 ¹ / ₄ "x24"x43 ¹ / ₂ "	120	1,000	Adjustable	20	21, dim 38 lbs

Printed in the U.S.A. | 12/20